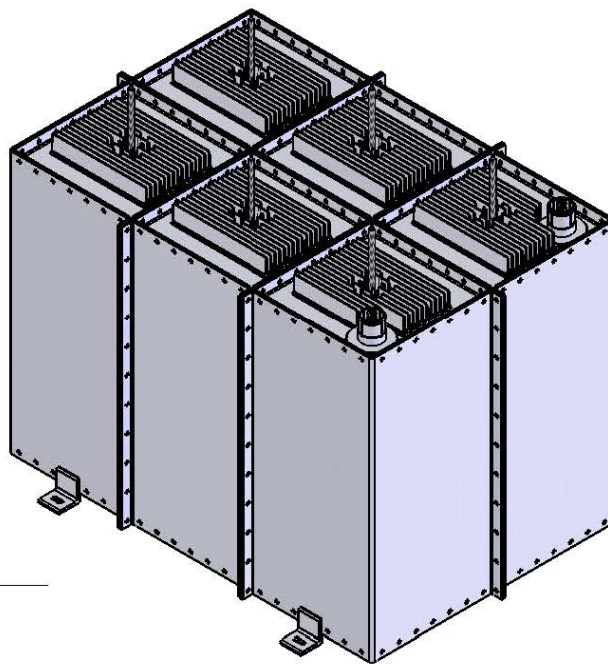




VHF BAND III DAB MASK FILTERS

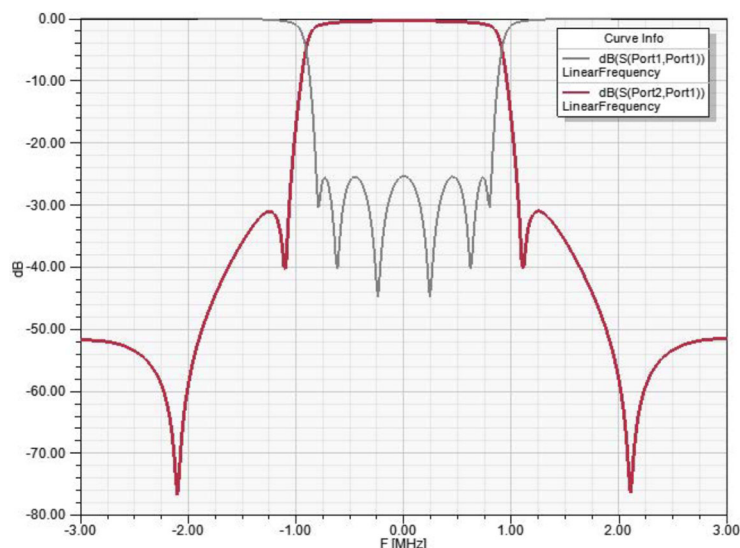
The JAMPRO RF SYSTEM Series RCEC-216-DAB Reflective Bandpass Filters are designed to provide superior mask performance for low and medium power DAB transmitters. These 6-section Cross-Coupled filters are shipped fully tested.

Passband insertion loss is minimized by the use of high-Q aluminum cavities. Temperature stability is maintained through tight manufacturing techniques and Invar tuning rods. These Mask Filters are designed for input power levels up to 5 kW.



RCEC-216-HVMH DAB Typical Specifications

Type	Band III VHF DAB MASK FILTERS
Channel	5A—13F
Bandwidth	$F_c \pm 0.77$ MHz
Power	Up to 5 kW
VSWR	1.10:1 Non Critical 1.15:1 Critical
Connectors	DIN 7-16 / 7/8" / 1-5/8"



Typical Rejection