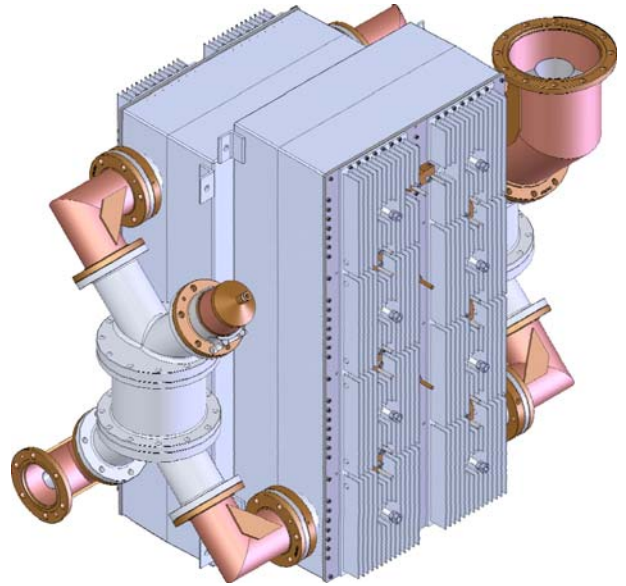




UHF Mask Filter / Combiner

JAMPRO RF Systems' UHF Constant Impedance DVB-T/T2, ISDB-T, DTV Mask Filter / Combining Module provides outstanding performance in a compact design. The RCCC-681-AUMH combiner module and filter provides excellent results in the bandpass and channel combining application, as well as providing mask filtering. Each unit is electrically and mechanically performance tested to ensure strict adherence to Jampro's superior level of quality. The combiner is designed for applications where size concerns are a premium.

- **UHF 470-860 MHz**
- **Up to 10.0kW average per Channel**
- **Higher powers available with cooling**
- **Rugged High Quality Design**
- **Constant Impedance (Balance Type)**
- **Integrated DTV Mask Filtering**



TYPICAL SPECIFICATIONS

Frequency Range	470-860 MHz		
Channel Spacing	Adjacent, 0 channel minimum		
Filter Type	8 poles / cavities, coaxial		
VSWR	<1.10:1		
Channel Bandwidth	6 MHz		8 MHz
Insertion Loss	(ATSC) $f_0 < 0.65$ dB	(ISDB-T) $f_0 < 0.7$ dB	(DVB-T2) $f_0 < 0.55$ dB
Narrowband (NB)			
NB Pass Bandwidth	$f_0 \pm 2.69$ MHz < 1.2dB	$f_0 \pm 2.79$ MHz < 1.5dB	$f_0 \pm 3.885$ MHz < 1.9 dB
NB Rejection Mask	$f_0 \pm 3.50$ MHz > 15 dB	$f_0 \pm 3.15$ MHz > 14 dB	$f_0 \pm 4.200$ MHz > 12 dB
	$f_0 \pm 4.00$ MHz > 33 dB	$f_0 \pm 4.50$ MHz > 31 dB	$f_0 \pm 6.000$ MHz > 35 dB
	$f_0 \pm 9.00$ MHz > 65 dB	$f_0 \pm 9.00$ MHz > 60 dB	$f_0 \pm 12.000$ > 65 dB
Wideband (WB)	< 0.1 dB	< 0.1 dB	< 0.1 dB
Isolation			
NB to WB	> 32 dB		
WB to NB	> 50 dB		
Power			
NB Input	≤ 10.0 kw Avg		
WB Input	≤ 50.0 kw Avg		
Output	≤ 60.0 kw Avg		
Connectors			
Inputs	3-1/8" EIA (*other sizes available)		
Output	6-1/8" EIA (*other sizes available)		
Dimensions	40" x 40" x 44" (1015mm x 1015mm x 1145mm)		
Weight	≈ 440 lbs (200 kgs)		