



[www.jampro.com](http://www.jampro.com)

---

DAB Mask Filter/Combiner

RCCC-391-DAB

---

July 13, 2023

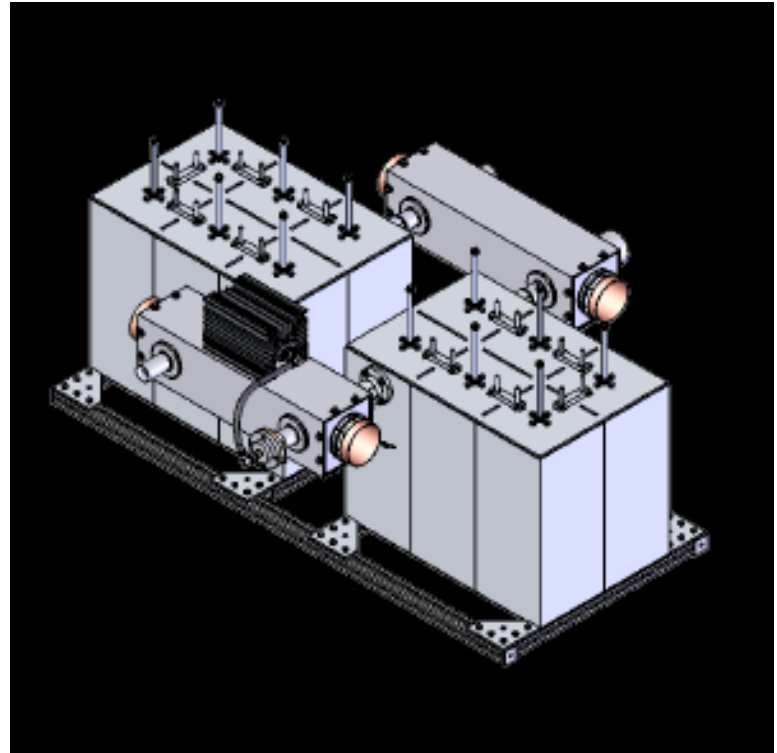


## VHF DAB Mask Filter/Combiner

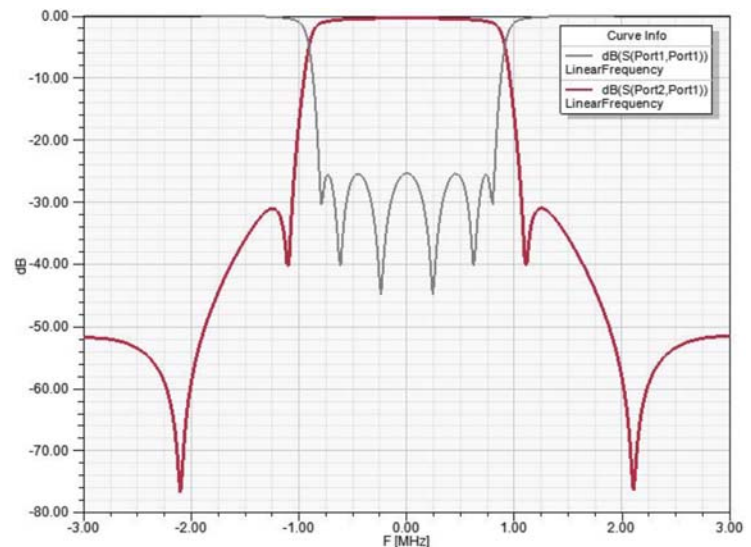
The JAMPRO RF SYSTEM Series RCCC-391-DABM mask filter/combiner are designed to provide superior mask performance for high power DAB transmitters. These 6 section cross-coupled constant impedance mask filters are shipped fully tested.

Passband insertion loss is minimized by the use of high-Q aluminum cavities. Temperature stability is maintained through tight manufacturing techniques and Invar tuning rods. These mask filter/combiners are designed for input power levels up to 6 kW.

The RCCC-391-DABM is designed to allow for expansion by adding additional modules and channels on the wideband input.



Typical Specifications	
Type	Band III VHF DAB MASK FILTER/COMBINER
Channel	5A—13F
Bandwidth	$F_c \pm 0.77$ MHz
Power	Up to 6 kW
VSWR	1.12:1 Non Critical 1.12:1 Critical
Connectors	DIN 7-16 / 7/8" / 1-5/8" / 3-1/8"



Typical Rejection



## **TECHNICAL SPECIFICATIONS**

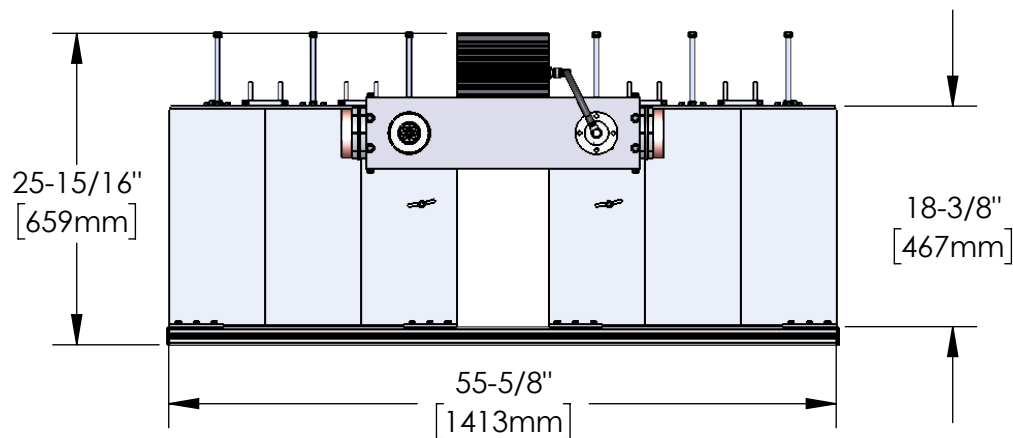
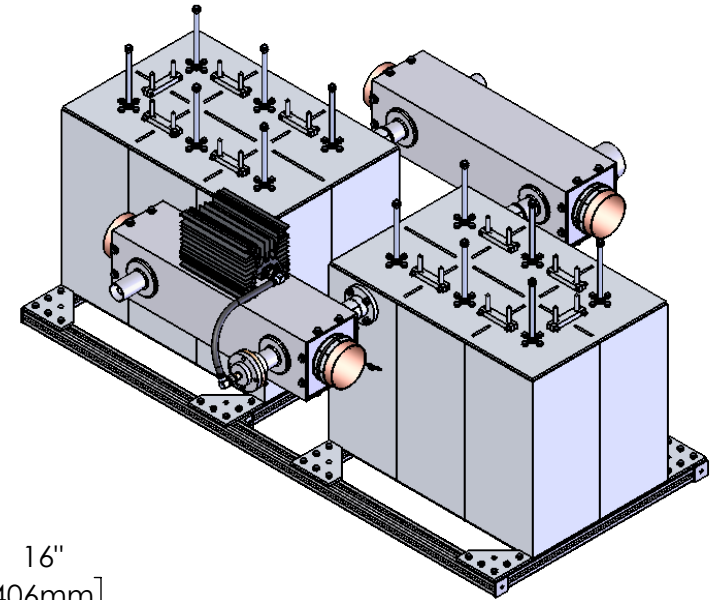
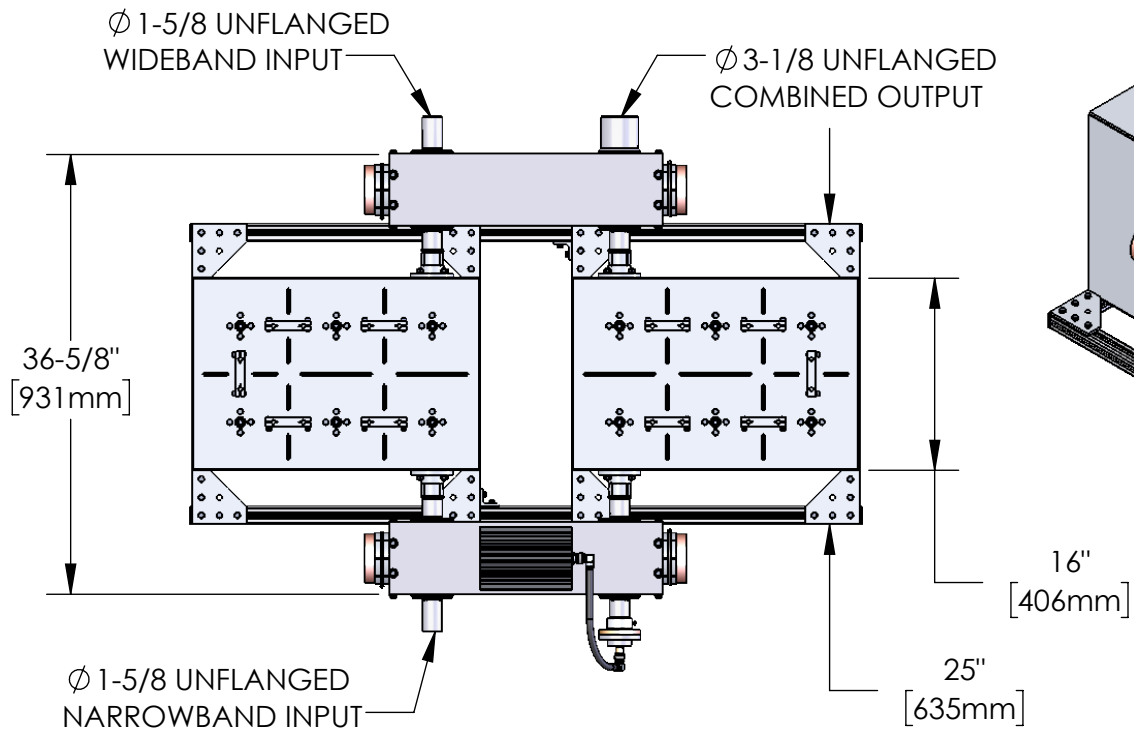
**RCCC-391-DAB**

Description	DAB Combining Module
Model	RCCC-391-DAB

### **SPECIFICATIONS**

DAB Channels	TBD
Channel Separation	1
Bandwidth (BW)	1.54 mhz
Operating Powers	
NB Input x2	6kw
WB Input (Future)	6kw
Connectors	
Inputs	1-5/8" unflanged
Output	3-1/8" unflanged
VSWR	<1.12:1
Insertion Loss	< 0.45 dB @ Fo < 0.60 dB, Fo +/- 0.77 MHz
Isolation	
NB to WB	>30dB
WB to NB	>50dB
NB to NB	>50dB

**NOTE:** THESE SPECIFICATIONS ARE PREDICTIONS BASED ON AVAILABLE DATA. THE ACTUAL PERFORMANCE MAY DIFFER FROM THESE DUE TO THE ELECTRICAL, MECHANICAL AND MEASURED LIMITATIONS AT YOUR FREQUENCIES.



DO NOT SCALE DRAWING		QUALITY CONTROL				PRODUCTION CONTROL			NAME		DATE		<b>JAMPRO ANTENNAS</b> <b>RCCC-391-DABM</b> <b>ASSEMBLY</b>	
DIMENSIONS ARE IN INCHES UNLESS OTHERWISE NOTED TOLERANCES: FRACTIONAL $\pm 1/32"$ ANGULAR: MACH $\pm .5^\circ$ BEND $\pm 1^\circ$ ONE PLACE DECIMAL $\pm .025"$ TWO PLACE DECIMAL $\pm .01"$ THREE PLACE DECIMAL $\pm .005"$	Op	INT.	Date	Comments	Job Number:			DRAWN BY	MLH	15 MAR 2023		COMMENTS:  SIZE DWG. NO. <b>A</b> 230009-000 SHEET 1 OF 1 <b>A</b>		
	1st				Date:			LAST REVISED						
	2nd				Issued By:			INVENTORY		NONINVENTORY				
	3rd				Made By:	Qty:	Date:	FINISH:						
	4th				Made By:	Qty:	Date:	WEIGHT:		279.524 lbs.				
	5th				Made By:	Qty:	Date:	LENGTH IN FEET:		FT				
<b>PROPRIETARY AND CONFIDENTIAL:</b> THE INFORMATION CONTAINED IN THIS DRAWING IS THE SOLE PROPERTY OF JAMPRO ANTENNAS. ANY REPRODUCTION IN PART OR AS A WHOLE WITHOUT THE WRITTEN PERMISSION OF JAMPRO ANTENNAS IS PROHIBITED.					MATERIAL: NPN			SEE BILL OF MATERIALS						