

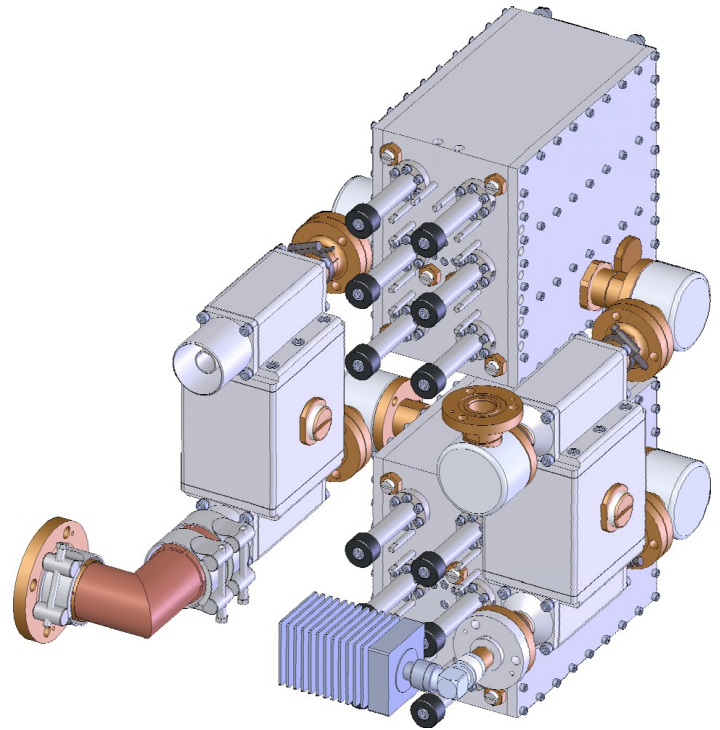


RCCC-2T1-1UM

UHF Mask Filter / Combiner

JAMPRO RF Systems' UHF Constant Impedance NTSC, PAL, DVB-T/T2, ISDB-T, DTV Mask Filter / Combining Module provides outstanding performance in a compact design. The RCCC-2T1-1UM combiner module and filter provides excellent results in the bandpass and channel combining application, as well as providing mask filtering. Each unit is electrically and mechanically performance tested to ensure strict adherence to Jampro's superior level of quality. The combiner is designed for applications where size concerns are a premium.

- **UHF 470-860 MHz**
- **Up to 0.5kW average or 1kw pk sync per Channel**
- **Rugged High Quality Design**
- **Constant Impedance (Balance Type)**
- **Integrated DTV Mask Filtering**



TYPICAL SPECIFICATIONS

Frequency Range	470-860 MHz		
Channel Spacing	1 channel minimum		
Filter Type	6 poles / cavities, coaxial		
VSWR	<1.10:1		
Channel Bandwidth	6 MHz		8 MHz 8 MHz
Insertion Loss	(ATSC)	(ISDB-T)	(DVB-T2)
Narrowband (NB)	$f_0 < 1.35$ dB	$f_0 < 1.35$ dB	$f_0 < 1.25$ dB
NB Pass Bandwidth	$f_0 \pm 2.69$ MHz < 1.9 dB	$f_0 \pm 2.79$ MHz < 2.0 dB	$f_0 \pm 3.885$ MHz < 2.2 dB
NB Rejection Mask	$f_0 \pm 3.50$ MHz > 7 dB	$f_0 \pm 3.15$ MHz > 4 dB	$f_0 \pm 4.20$ MHz > 3 dB
	$f_0 \pm 4.00$ MHz > 22 dB	$f_0 \pm 4.50$ MHz > 18 dB	$f_0 \pm 6.00$ MHz > 20 dB
	$f_0 \pm 9.00$ MHz > 40 dB	$f_0 \pm 9.00$ MHz > 35 dB	$f_0 \pm 12.00$ MHz > 40 dB
Wideband (WB)	< 0.15 dB	< 0.15 dB	< 0.15 dB
Isolation			
NB to WB		> 32 dB	
WB to NB		> 50 dB	
Power			
NB Input		≤ 0.5 kw Avg,	
WB Input		≤ 4.5 kw Avg	
Output		≤ 5 kw Avg	
Connectors			
Inputs	7/8" EIA; 1-5/8" EIA (*other size available)		
Output	1-5/8" EIA (*other sizes available)		
Dimensions	18" x 14" x 19.5" (460mm x 355mm x 500mm)		
Weight	≈ 55 lbs (25 kgs)		