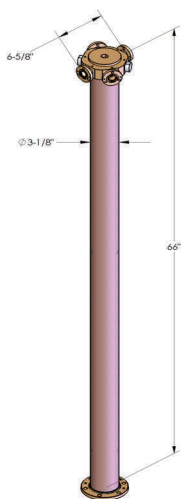




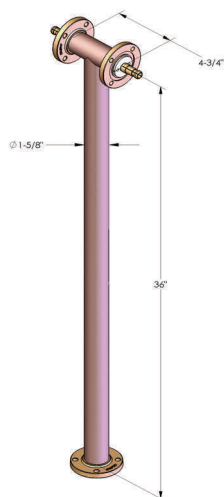
COAXIAL POWER DIVIDERS

Typical Specifications

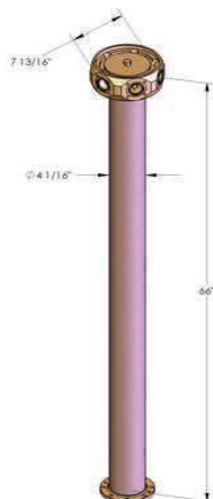
Frequency Range	FM Band II VHF Bands I, III UHF Band IV/V	
Impedance	50 ohm typical*	
Power Rating	250 kW max	
Operating Temperature Range	-40° C to +70° C	
Connectors	7-16 DIN" to 6-1/8" EIA	
Number of outputs	2 to 12	
Materials	External Body	Copper or Marine Brass
	Inner Conductor/Transformer	Copper, Brass or Silver Plated Brass



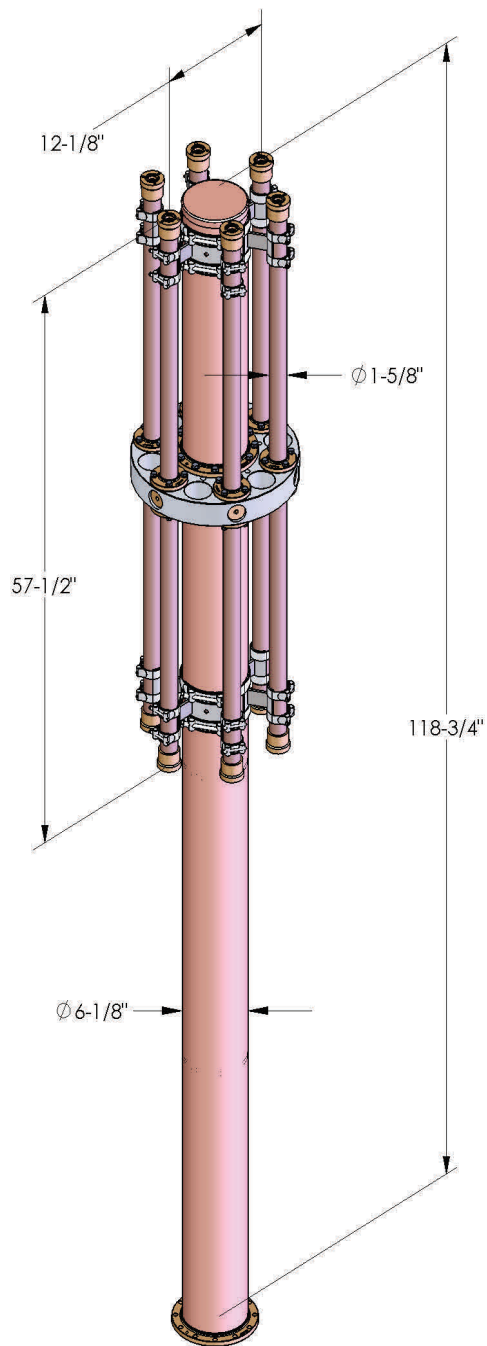
RCTQ 3142-098-F
VHF
Power Divider



RCTQ 2222-201 F
VHF
Power Divider



RCTQ 4272-598 F
VHF/UHF
Power Divider



RCTQ 61122-098 F
VHF/UHF
12 way power divider